



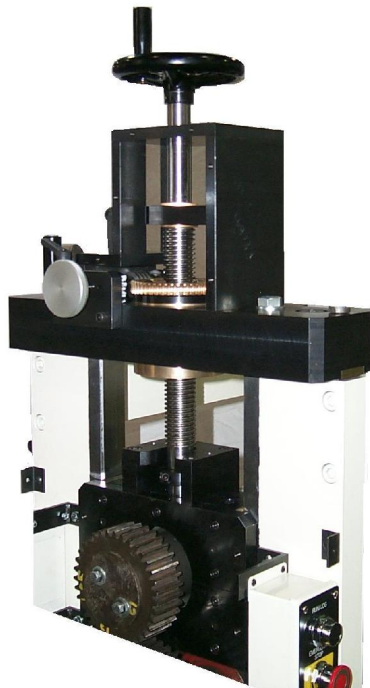
Full Web Embossing Unit

WPM can now provide a very unique value added process to your web finishing lines. To produce finely embossed patterns on your high speed web, we have produced a fast change over module capable of using third party engraved cylinders capable of permanently embossing nearly any pattern into a web.

The WPM Advantage

WPM finishing systems include a host of modules that can impart value added die cutting, scoring, and embossing requirements inline or offline to your web, increasing your profit margins and shorten your turn around time. Consider the WPM advantage for your converting application:

- A state-of-the-art embossing module manufactured for use in 24/7 production environments.
- Macro-MicroTouch design for easy adjustment of embossing pressure.
- Quick tooling changes.
- Anvil cylinders made for use with typical industry accepted blanket material.
- Independent drive or shaft drive options for use in virtually any inline or offline application.
- Web widths and features custom designed for your application and tooling.



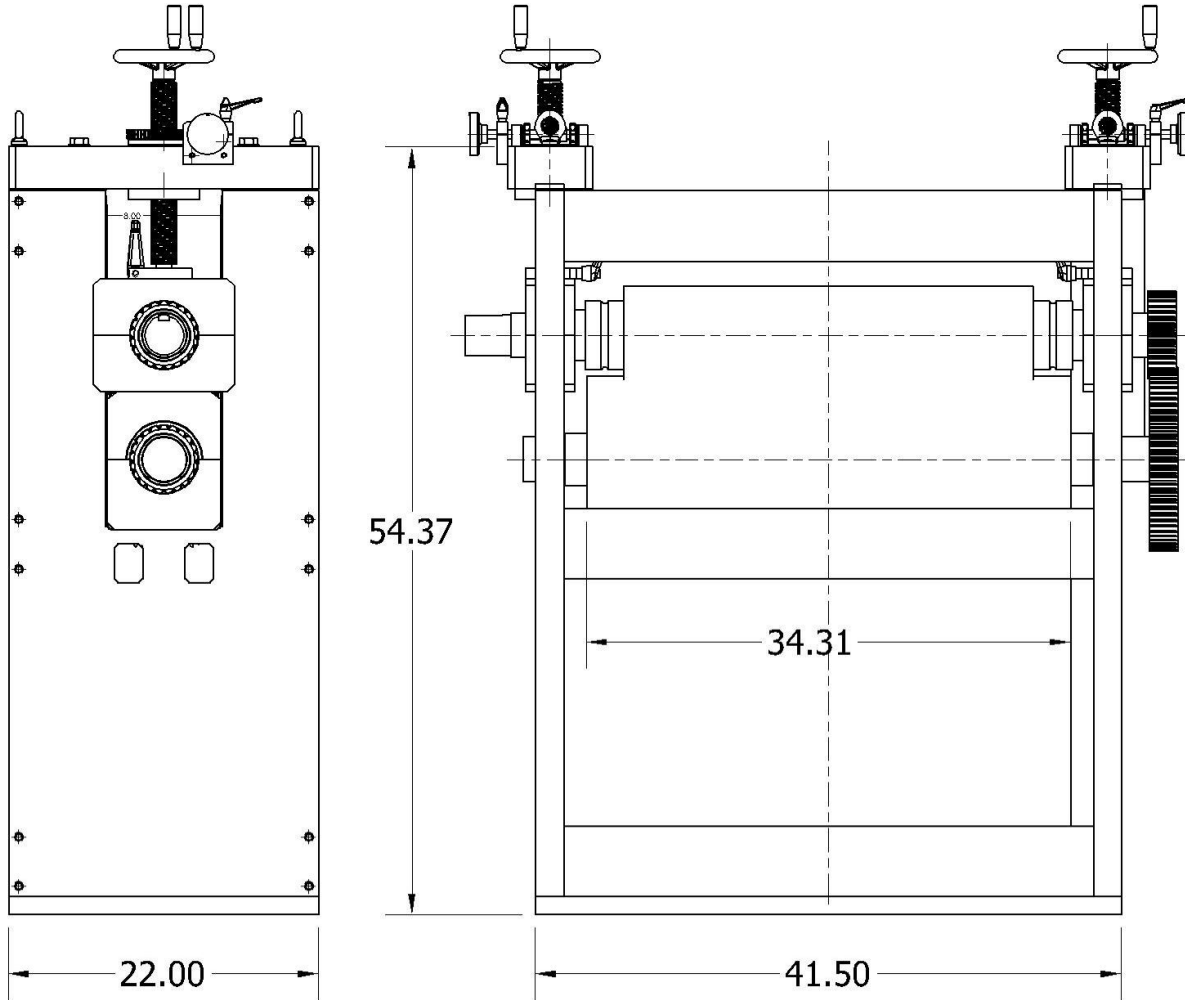
- Grease or oil bearing lubrication based on application
- On the run options such as sidelay, print to emboss registration, and more.



WPM Macro-MicroTouch Tooling Linkage

A unique design aimed at making life easy for your operator.

- Swing away capability to eliminate the need for rigging or hoists.
- Top wheel adjuster for "macro" adjustment of the assembly which gets the tooling roughly mated together.
- Side wheel adjuster for "micro" adjustment of the assembly to get the perfect running pressure for the specific tooling.



Full Web Embossing Unit Standard Features

- Modular unit design
- Independent drive system.
- Solid engraved embossing roll in upper position.
- Paper wrapped solid steel lower roll in lower position.
- Slotted Frames for die and anvil cylinder changes.
- Narrow to wide web custom widths.
- Grease or oil lubricated main bearings based on application.
- Exclusive WPM Macro-MicroTouch pressure linkage.
- Extended journal to accept remote drive

Note: 32" web width unit is shown in drawing. Other web widths are available.

No guards are shown.

Western Printing Machinery Company
Finishing Technology Division

Corporate Offices
9229 Ivanhoe Street
Schiller Park, Illinois 60176-2348 USA
Main (847) 678-1740 • Fax (847) 678-6176

Cutting Technology Division
9228 Ivanhoe Street
Schiller Park, Illinois 60176-2306 USA

WPM Europe Limited
Units 1 & 2 Sam Brown Industrial Estate
Dog & Gun Lane, Whetstone
Leicester LE8 6LJ United Kingdom

WPM, the WPM Logo, WPM Europe, the WPM Europe logo, TruCut, Tru-Cut, TruCut AdvantEdge, Tru-Cut AdvantEdge, TruLock, Tru-Lock, TruImage, MicroTouch, Micro-Touch, RotaCutter, Rota-Cutter, ServoRotaCutter, ServoSealer, DieCutter, FlexDieCutter, FastTrack, FlexGluer, SlimGluer, AngleBar, Gilda, the Gilda logo, KnifeLocator, and Excellence In Finishing are Trademarks or Registered Trademarks of Western Printing Machinery Company. All other brand and product names are Trademarks or Registered Trademarks of their respective companies or organizations.