



# PreFolders™

## Models

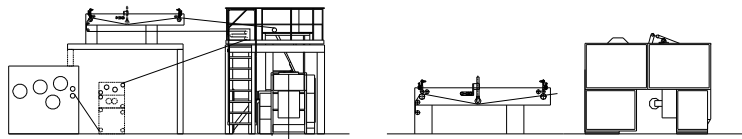
- PFA, PFB – One set of four angle bars, one dual plow section for combination folders.
- PFC – One set of four angle bars and slitting station for stacking ribbons for a combination folder.
- PFD – One full width motorized angle bar with a dual plow section for gate fold products from a double former folder at right angles to web travel.
- PFE – Slitting station, two half web angle bars and a dual plow section. Production of standard 4, 6 and 8 page signatures with a sheeter or rotary cutter.
- PFF – Designed for repositioning a single color web and 4 color web on a 2 web press or repositioning a single web top-to-bottom.
- PFG – Incorporates a dual plow assembly, which produces gatefolds before a sheeter, rotary cutter or combination folder.
- PFG-2 – Allows for two consecutive plow folds to produce 6 and 8 page gatefolds.

## Features

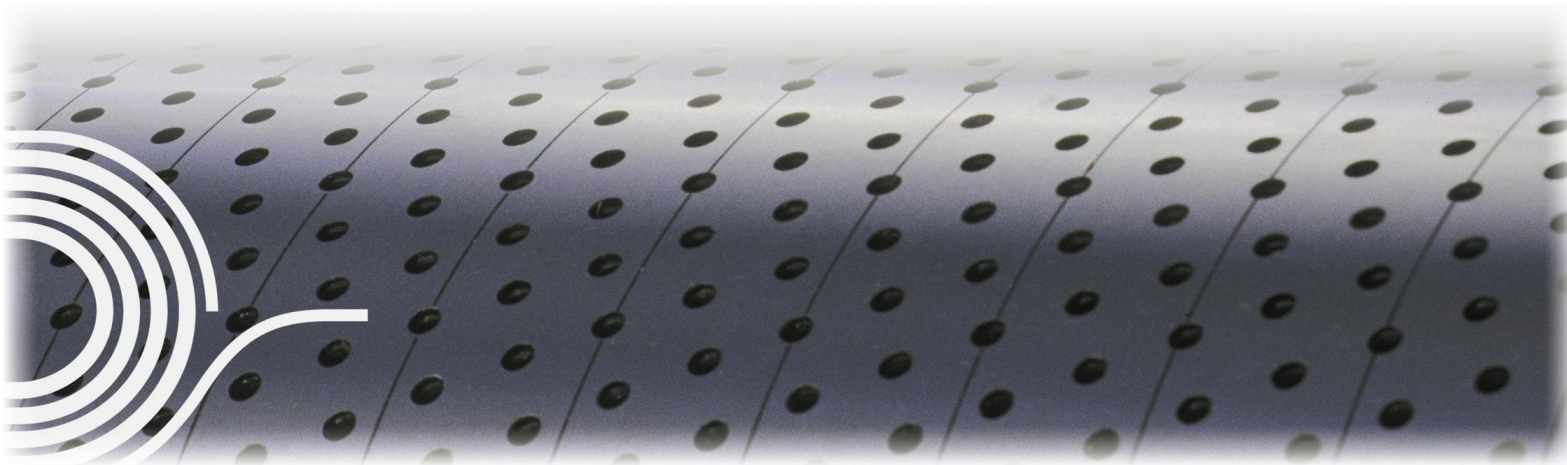
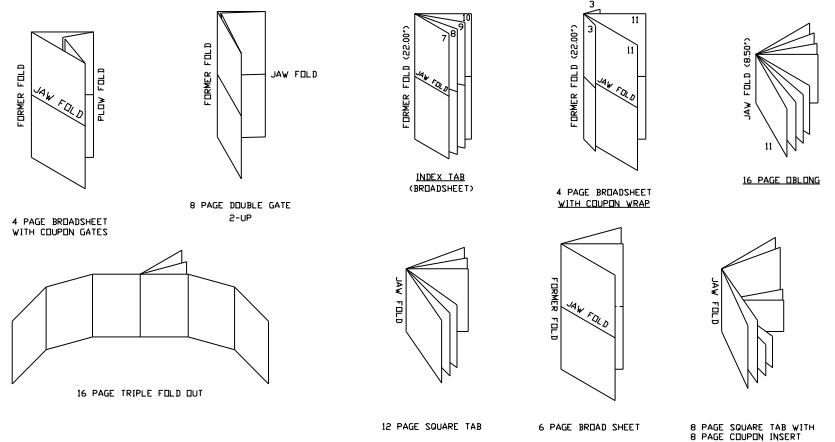
- Hardened driven rollers with air loaded trolleys and slitters.
- Chromed angle bars, drilled for air.
- Full web linear compensators.
- WPM's exclusive 3 axis rotary plows.
- Fully motorized option available.
- Independent (shaftless) drive available.



WPM PreFolders are designed to be positioned in the press line before the Folder or Sheeter. They can be mounted on the floor or on an overhead structure, depending on the space available and the application.



Samples of product formats produced with WPM PreFolders.





---

PreFolders™

WPM, the WPM Logo, WPM Europe, the WPM Europe logo, TruCut, Tru-Cut, TruCut AdvantEdge, Tru-Cut AdvantEdge, TruLock, Tru-Lock, TruImage, MicroTouch, Micro-Touch, RotaCutter, Rota-Cutter, ServoRotaCutter, ServoSealer, DieCutter, FlexDieCutter, FastTrack, FlexGluer, SlimGluer, AngleBar, Gilda, the Gilda logo, KnifeLocator, and Excellence In Finishing are Trademarks or Registered Trademarks of Western Printing Machinery Company. All other brand and product names are Trademarks or Registered Trademarks of their respective companies or organizations.

## **Western Printing Machinery Company Finishing Technology Division**

Corporate Offices  
9229 Ivanhoe Street  
Schiller Park, Illinois 60176-2348 USA  
Main (847) 678-1740 • Fax (847) 678-6176

Cutting Technology Division  
9228 Ivanhoe Street  
Schiller Park, Illinois 60176-2306 USA

WPM Europe Limited  
Units 1 & 2 Sam Brown Industrial Estate  
Dog & Gun Lane, Whetstone  
Leicester LE8 6LJ United Kingdom

[www.wpm.com](http://www.wpm.com)