



ISD Series *VariCutter and Delivery*

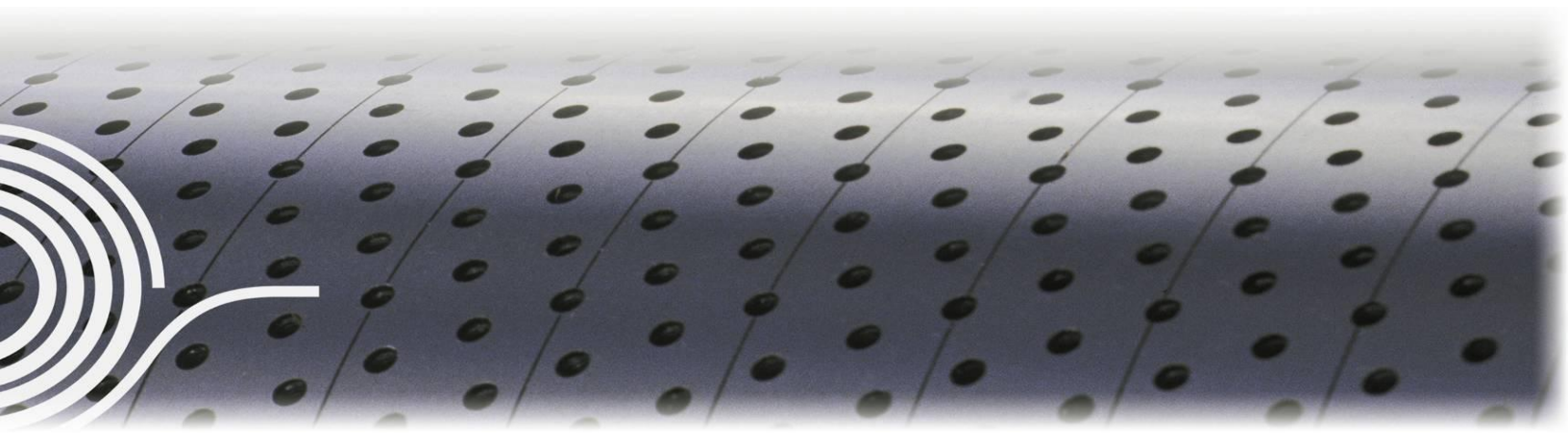
Standard Features

- Three mode cutting capability for continuous die cutting, variable repeat die cutting, and sheet cutting.
- Programmable repeat range from 23" to 35".
- 39" web width capability.
- Integrated Servo Drive for complete flexibility.
- Oil lubricated main bearings.
- Exclusive WPM MicroTouch™ gap adjustment to extend die wear.
- Calibrated "X" and "Y" scale for die registration.
- Lead edge pin row for scrap matrix removal.
- Nip assembly on anvil for matrix pull.
- WPM Honeycomb pattern die cylinder.
- Cyclic infeed drive to eliminate matrix scrap.
- Micro dial indicator gauges on both sides of the unit for instant die gap adjustment.
- Three sided scrap slide.
- Up to 4 wide shingled stream delivery.



ISD Series VariCutter Options

- Modular design available for size changes.
- Upstream nip roller assemblies for web control.





ISD Series *VariCutter and Delivery*

Specifications

Available for up to 380" web widths
Servo driven and programmable
Three cutting modes
Programmable repeat in VariCut mode
Matrix removal
Die and anvil cylinder circumference 45.5
Exclusive WPM MicroTouch™ gap adjustment
WPM grid pattern die cylinders

Weight (approximate)

38" (965mm) Web Width 22,000 lbs (1,270 kg)

Utilities Requirements

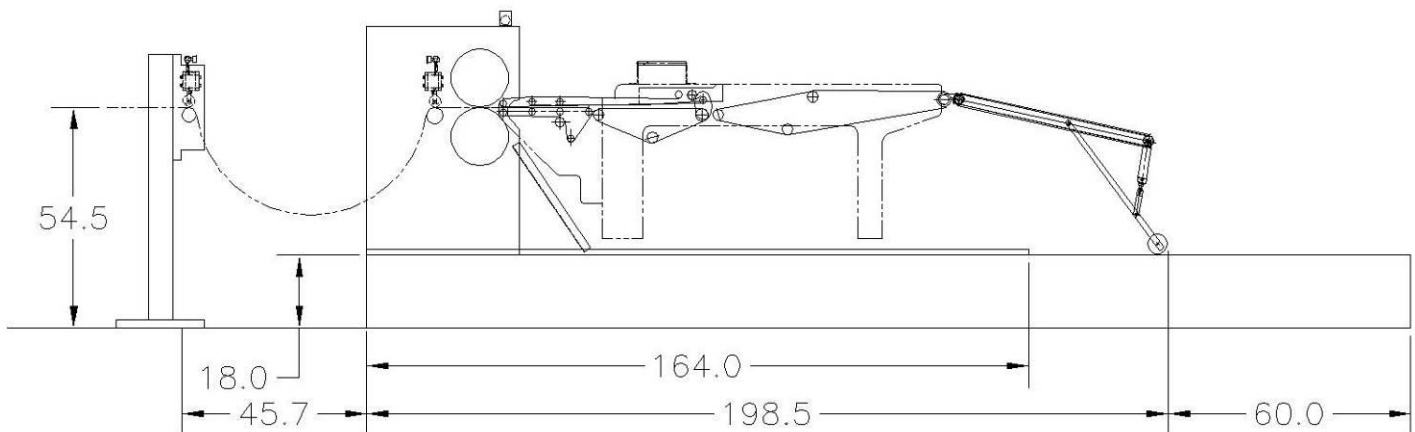
Power: 400-460 VAC, 3 Phase, 50/60 Hz

Air: High Pressure – Volume-Minimal
 Pressure – (80-100 PSIG)
 (5.5 to 6.8 Bars)

Cooling Water: Volume – 5 GPM (19 Liters/Min)

Equipment Options

Modular cutting unit for size changes



Production Rates (Approximate)

Continuous cutting mode, 45.5" circumference = 600 fpm

VariCut cutting mode, 23" to 35" range = up to 260 fpm

Sheet cut mode, 23" to 40" range = up to 500 fpm



ISD Series VariCutter uses the exclusive WPM TruCut molded knife and die system

Western Printing Machinery Company
Finishing Technology Division

Corporate Offices
9229 Ivanhoe Street
Schiller Park, Illinois 60176-2348 USA
Main (847) 678-1740 • Fax (847) 678-6176

Cutting Technology Division
9228 Ivanhoe Street
Schiller Park, Illinois 60176-2306 USA

WPM Europe Limited
Units 1 & 2 Sam Brown Industrial Estate
Dog & Gun Lane, Whetstone
Leicester LE8 6LJ United Kingdom

www.wpm.com